

# ENDURA-CLASSIC COLUMNS



# Fiberglass/Resin-Infused Columns: Blending Tradition with Technology

At Pacific, we are committed to preserving the past with authentic, perfectly detailed columns using the latest technology. Our unique fiberglass/resin-infused columns are architecturally correct and guaranteed to last a lifetime. Our customer service and high quality products make us a leader in the architectural column industry.

## STRENGTH AND QUALITY

Whether you need a one-story or two-story column, Pacific's columns are specifically engineered for load-bearing applications up to 35,000 pounds. They can withstand normal construction abuse and are protected against weathering, decay, insects and other environmental influences. Strict quality control processes during manufacturing ensure that you receive a column to your exact specifications.

## EASY INSTALLATION

Compared to wood or other composite materials, our fiberglass/resin-infused columns are very lightweight without sacrificing strength or durability, making installation a cinch. No heavy equipment is necessary. Our columns are custom-fit and require no recessed soffits or ventilation. They can be finished directly with readily available primers and acrylic latex top coat paint.

## SAVINGS TO YOU

Our low maintenance and easy installation mean savings are passed to you. Their high impact and UV resistance as well as their non-corrosive characteristics mean many years of beauty with little maintenance.

## LARGE PRODUCT SELECTION

Our smooth, tapered filament wound columns are offered in diameters, up to 36 inches, and heights, up to 30 feet, to fit your particular needs. Custom sizes are also available. Fiberglass Tuscan capital, base and plinth sets come standard with your column. Roman Doric capital and Attic (Ionic) base styles are optional, together with our vast selection of decorative capitals.

## COMPOSITE ROUND TAPERED COLUMN SPECIFICATIONS

- Filament wound technology
- Resin infused technology
- Diameters up to 36 inches
- Heights up to 30 feet
- Load bearing with strength up to 35,000 lbs
- Balustrade systems easily attached
- Columns meet ASTM E-84, flame and smoke requirements

## CAPITAL AND BASE OFFERINGS

- Tuscan capitals and bases standard
- Additional capitals and bases include:
  - Roman Doric capital
  - Attic (Ionic) base
- Decorative capital styles offered include:
  - Scamozzi
  - Roman Ionic
  - Temple of the Winds
  - Roman Corinthian
  - Empire

## COLUMN, CAPITAL AND BASE BENEFITS

- Architecturally correct
- Lightweight & easy to install
- Custom fit
- Lifetime warranty
- Low maintenance
- Durable – will not rot or decay
- Protected against weathering, decay, insects and other environmental influences
- No ventilation required
- High impact resistance against construction abuse
- Services include splitting for reassembly for column cover applications to surround an existing support



## Fiberglass/Resin-Infused or Spun Cast? You Decide.

At Pacific, we are committed to providing the highest quality column products and service to our customers. Our patented fiberglass/resin-infused columns are perfectly detailed and range from 12" to 36" in diameter with heights from 8 to 26 feet. One of the greatest benefits of these columns is that they are lightweight. fiberglass/resin-infused columns can be **as little as 20%** of the weight of a spun cast column.

What does this mean to an installer or contractor? Safety. Heavy spun cast columns are difficult to handle requiring additional manpower at the job site as well as additional lifting equipment such as a forklift, boom truck or bucket truck. In most cases the cost of the fiberglass/resin-infused column compares to the cost of the spun cast column, not including the additional cost for manpower and equipment that will drive the spun cast cost up significantly. Other safety concerns with spun cast columns include potential damage caused by columns that are dropped. Replacement costs of the column and other damages can exceed hundreds of dollars.

Use the chart below to determine the weight difference between fiberglass/resin-infused and spun cast columns. Larger spun cast columns can be up to five times the weight of fiberglass/resin-infused columns! With that much difference, which is more cost effective and safe? You decide.

### Weight Comparison Chart

Size	Fiberglass/resin-infused (lbs)	Spun Cast (lbs)
12" x 16'-0	65	240
14" x 16'-0	75	320
16" x 16'-0	100	400
16" x 20'-0	130	540
18" x 18'-0	130	620
18" x 20'-0	145	700
20" x 20'-0	175	850
20" x 24'-0	210	1,150
22" x 18'-0	175	950
22" x 24'-0	230	1,500
24" x 20'-0	235	1,400
24" x 26'-0	270	2,000
30" x 24'-0	370	2,100
36" x 24'-0	440	3,500

# Round Smooth Tapered Fiberglass Column with Tuscan Capital & Base

At Pacific, we are committed to preserving the past with authentic, perfectly detailed columns using the latest technology. Our columns are made from specially formulated glass-reinforced polymers and a manufacturing process that has been tested in applications ranging from sporting products to the Aerospace industry. The shafts are one piece construction with a separate capital and base. Our customer service and high quality products make us a leader in the architectural column industry. Look to us for all of your fiberglass architectural needs.

## Column benefits:

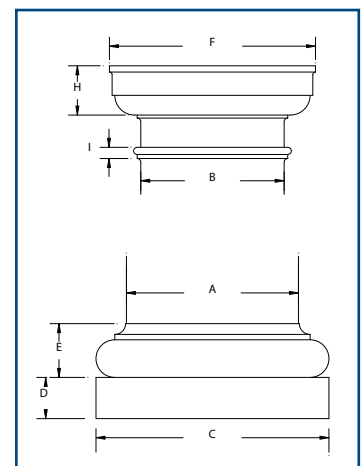
- Architecturally correct
- Lightweight & easy to install
- Custom fit
- Lifetime warranty
- Low maintenance
- Cap and base available in fiberglass or urethane material
- Durable - will not rot or decay
- Protected against weathering, decay, insects and other environmental influences
- No ventilation required
- High impact resistance against construction abuse
- Services include splitting for reassembly for column cover applications to surround an existing support and pilaster applications

COLUMN DIMENSIONS*			
Size	A	B	Length
12"	12"	10"	Up to 18'
14"	14"	12"	Up to 18'
16"	16"	13 1/2"	Up to 20'
18"	18"	15"	Up to 20'
20"	20"	17"	Up to 24'
22"	22"	18 1/2"	Up to 24'
24"	24"	20"	Up to 26'
28"	28"	23 1/2"	Up to 24'
30"	30"	25"	Up to 24'
36"	36"	30"	Up to 30'



\*Load bearing capacity different on each, call for details.

SPECIFICATIONS FOR TUSCAN CAPITAL, BASE & ASTRAGAL*						
Size	Base/Plinth			Capital		Astragal
	C	D	E	F	H	I
12"	16 1/8"	2 7/8"	3 3/8"	15 1/4"	3 3/8"	13/16"
14"	18 3/4"	3 3/8"	4"	17 1/8"	4"	7/8"
16"	21 1/2"	3 7/8"	4 1/2"	19 1/4"	4 5/8"	1"
18"	24 1/4"	4 1/4"	5 3/8"	21 1/2"	5 1/8"	1 3/16"
20"	27"	4 3/4"	6"	24 1/4"	5 5/8"	1 5/16"
22"	29 3/4"	5 1/4"	6 7/8"	26 1/2"	6 1/4"	1 3/8"
24"	32 1/2"	5 3/4"	7 1/2"	28 3/4"	6 7/8"	1 9/16"
28"	38"	6 3/4"	8 3/4"	33 3/8"	8"	1 13/16"
30"	40 1/2"	7 1/4"	9 1/4"	35 3/4"	8 5/8"	1 7/8"
36"	48 3/4"	8 3/4"	11 3/8"	42 3/4"	10 1/2"	2 5/16"



\*Tuscan Capital & Base are standard. Other options available. Call for details.

## Round Fluted Tapered Fiberglass Column with Tuscan Capital & Base

At Pacific, we are committed to preserving the past with authentic, perfectly detailed columns using the latest technology. Our columns are made from specially formulated glass-reinforced polymers and a manufacturing process that has been tested in applications ranging from sporting products to the Aerospace industry. The shafts are one piece construction with a separate capital and base. Our customer service and high quality products make us a leader in the architectural column industry. Look to us for all of your fiberglass architectural needs.

### Column benefits:

- Architecturally correct flutes
- Lightweight & easy to install
- Custom fit
- Lifetime warranty
- Low maintenance
- Cap and base available in fiberglass or urethane material
- Durable - will not rot or decay
- Protected against weathering, decay, insects and other environmental influences
- No ventilation required
- High impact resistance against construction abuse
- Services include splitting for reassembly for column cover applications to surround an existing support and pilaster applications

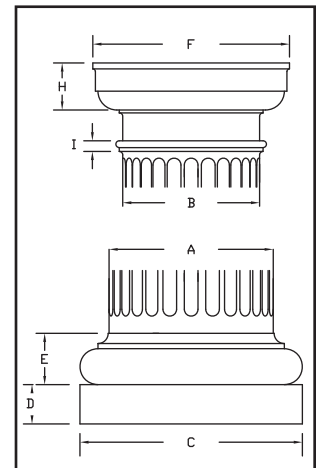
COLUMN DIMENSIONS*			
Size	Bottom Width	Top Width	Length
8"	8"	6"	Up to 12'
10"	10"	8"	Up to 12'
12"	12"	10 1/2"	Up to 18'
14"	14"	12"	Up to 18'
16"	16"	13 1/2"	Up to 20'
18"	18"	15"	Up to 24'
20"	20"	20"	Up to 24'
22"	22"	18 1/2"	Up to 24'
24"	24"	20"	Up to 26'
30"	30"	25"	Up to 28'
36"	36"	30"	Up to 30'

\*Load bearing capacity different on each, call for details.



SPECIFICATIONS FOR TUSCAN CAPITAL, BASE & ASTRAGAL*						
Size	Base/Plinth			Capital		Astragal
	C	D	E	F	H	I
8"	10 1/4"	1 7/8"	2 3/8"	10 1/4"	2 3/8"	3/8"
10"	12 3/4"	2 3/8"	2 7/8"	12 3/4"	3"	5/8"
12"	15 1/4"	2 7/8"	3 3/8"	15 1/4"	3 3/8"	13/16"
14"	18 3/4"	3 3/8"	4"	17 1/8"	4"	7/8"
16"	21 1/2"	3 7/8"	4 1/2"	19 1/4"	4 5/8"	1"
18"	24 1/4"	4 1/4"	5 3/8"	21 1/2"	5 1/8"	1 3/16"
20"	27"	4 3/4"	6"	24 1/4"	5 5/8"	1 5/16"
22"	29 3/4"	5 1/4"	6 7/8"	26 1/2"	6 1/4"	1 3/8"
24"	32 1/2"	5 3/4"	7 1/2"	28 3/4"	6 7/8"	1 9/16"
30"	40 1/2"	7 1/4"	9 1/4"	35 3/4"	8 5/8"	1 7/8"
36"	48 3/4"	8 3/4"	11 3/8"	42 3/4"	10 1/2"	2 5/16"

\*Tuscan Capital & Base are standard. Other options available. Call for details.



## Round Smooth Non-Tapered Fiberglass Column with Tuscan Capital & Base

At Pacific, we are committed to preserving the past with authentic, perfectly detailed columns using the latest technology. Our columns are made from specially formulated glass-reinforced polymers and a manufacturing process that has been tested in applications ranging from sporting products to the Aerospace industry. The shafts are one piece construction with a separate capital and base. Our customer service and high quality products make us a leader in the architectural column industry. Look to us for all of your fiberglass architectural needs.

### Column benefits:

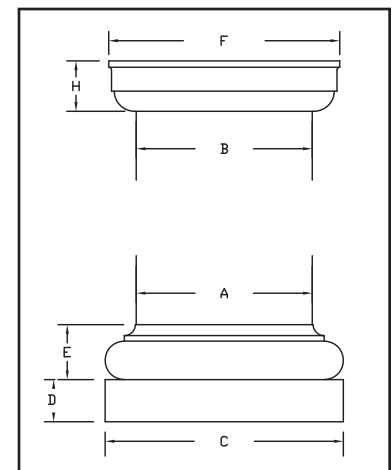
- Lightweight & easy to install
- Custom fit
- Lifetime warranty
- Low maintenance
- Cap and base available in fiberglass or urethane material
- Durable - will not rot or decay
- Protected against weathering, decay, insects and other environmental influences
- No ventilation required
- High impact resistance against construction abuse
- Services include splitting for reassembly for column cover applications to surround an existing support and pilaster applications and astragal optional

COLUMN DIMENSIONS*			
Size	A	B	Length
8"	8 1/4"	8 1/4"	Up to 24'
10"	10 1/2"	10 1/2"	Up to 24'
12"	12 1/2"	12 1/2"	Up to 24'
14"	14"	14"	Up to 24'
16"	16"	16"	Up to 24'
18"	18"	18"	Up to 24'
20"	20"	20"	Up to 24'
22"	22"	22"	Up to 24'
24"	24 1/4"	24 1/4"	Up to 24'
30"	30"	30"	Up to 24'
36"	36"	36"	Up to 24'



\*Load bearing capacity different on each, call for details.

SPECIFICATIONS FOR TUSCAN CAPITAL & BASE*					
Size	Base/Plinth			Capital	
	C	D	E	F	H
8"	10 1/4"	1 7/8"	2 3/8"	10 1/4"	2 1/2"
10"	12 3/4"	2 3/8"	2 7/8"	12 3/4"	3 1/8"
12"	15 1/4"	2 7/8"	3 3/8"	15 1/4"	3 1/4"
14"	18 3/4"	3 3/8"	4"	19 1/4"	4 5/8"
16"	21 1/2"	3 7/8"	4 1/2"	21 1/2"	5 1/8"
18"	24 1/4"	4 1/4"	5 3/8"	24 1/4"	5 5/8"
20"	27"	4 3/4"	6"	26 1/2"	6 1/4"
22"	29 3/4"	5 1/4"	6 7/8"	28 3/4"	6 7/8"
24"	32 1/2"	5 3/4"	7 1/2"	31 1/2"	7 3/8"
30"	40 1/2"	7 1/4"	9 1/4"	40"	9 1/4"
36"	48 3/4"	8 3/4"	11 3/8"	use base	use base



\*Tuscan Capital & Base are standard. Other options available. Call for details.

## Square Smooth Fiberglass Column with Tuscan Capital & Base

At Pacific, we are committed to preserving the past with authentic, perfectly detailed columns using the latest technology. Our columns are made from specially formulated glass-reinforced polymers and a manufacturing process that has been tested in applications ranging from sporting products to the Aerospace industry. The shafts are one piece construction with separate cap and base. Our customer service and high quality products make us a leader in the architectural column industry. Look to us for all of your fiberglass architectural needs.

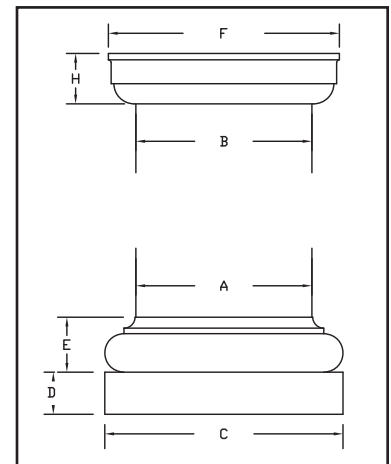
### Column benefits:

- Architecturally correct
- Lightweight & easy to install
- Custom fit
- Lifetime warranty
- Low maintenance
- Load bearing capacity of 10,000
- Durable - will not rot or decay
- Protected against weathering, decay, insects and other environmental influences
- No ventilation required
- High impact resistance against construction abuse
- Services include splitting for reassembly for column cover applications to surround an existing support, pilaster application and astragal optional

COLUMN DIMENSIONS			
Size	A	B	Length
8"	7.5"	7.5"	Up to 24'
10"	9.5"	9.5"	Up to 24'
12"	11.5"	11.5"	Up to 24'
14"	14"	14"	Up to 24'
16"	16"	16"	Up to 24'
18"	18"	18"	Up to 24'
20"	20"	20"	Up to 24'
22"	22"	22"	Up to 24'
24"	24"	24"	Up to 24'



SPECIFICATIONS FOR TUSCAN CAPITAL, BASE & ASTRAGAL*					
Size	Base/Plinth			Capital	
	C	D	E	F	H
8"	10 1/4"	1 7/8"	2 3/8"	10 1/4"	2 1/2"
10"	12 3/4"	2 3/8"	2 7/8"	12 3/4"	3 1/8"
12"	15 1/4"	2 7/8"	3 3/8"	15 1/4"	3 1/4"
14"	18 3/4"	3 3/8"	4"	18 3/4"	4"
16"	21 1/2"	3 7/8"	4 1/2"	21 1/2"	4 5/8"
18"	24 1/4"	4 1/4"	5 3/8"	24 1/4"	5 1/8"
20"	27"	4 3/4"	6"	27"	5 5/8"
22"	29 3/4"	5 1/4"	6 7/8"	29 3/4"	6 1/4"
24"	32 1/2"	5 3/4"	7 1/2"	31 1/2"	6 7/8"



\*Tuscan Capital & Base are standard. Other options available. Call for details.

## Column Specifications

### Fiberglass/Resin-Infused Shaft Weight

Fiberglass/Resin-Infused Shaft Weight (in LBS.)

COLUMN DIA. (in.)	LENGTH (ft.)	WEIGHT/lbs
12	8	18
12	10	22
12	12	26
12	14	55
12	16	65
12	18	75
14	8	37
14	10	45
14	12	55
14	14	65
14	16	75
16	8	52
16	10	65
16	12	77
16	14	90
16	16	100
16	18	110
16	20	130
18	10	72
18	12	90
18	14	100
18	16	115
18	18	130
18	20	145
20	10	90
20	12	105
20	14	122
20	16	140
20	18	160
20	20	175
20	22	190
20	24	210

COLUMN DIA. (in.)	LENGTH (ft.)	WEIGHT/lbs
22	10	100
22	12	118
22	14	137
22	16	156
22	18	175
22	20	195
22	22	215
22	24	230
24	10	125
24	12	150
24	14	170
24	16	190
24	18	210
24	20	235
24	22	245
24	24	255
24	26	270
28	20	255
28	22	280
28	24	300
30	20	325
30	22	345
30	24	370
36	20	395
36	22	410
36	24	440
36	28	525
36	30	550



## Column Specifications

### Column Load Bearing Capacity

#### Lengths (Feet)

Diameter	12'	14'	16'	18'	20'	22'	24'	26'	Pounds
12"	*	*	*	*					18,000
14"	*	*	*						20,000
16"	*	*	*	*	*				22,000
18"	*	*	*	*	*				24,000
20"	*	*	*	*	*	*	*		26,000
22"	*	*	*	*	*	*	*		28,000
24"	*	*	*	*	*	*	*	*	30,000
28"					*	*	*		35,000
30"					*	*	*		35,000
36"					*	*	*		35,000

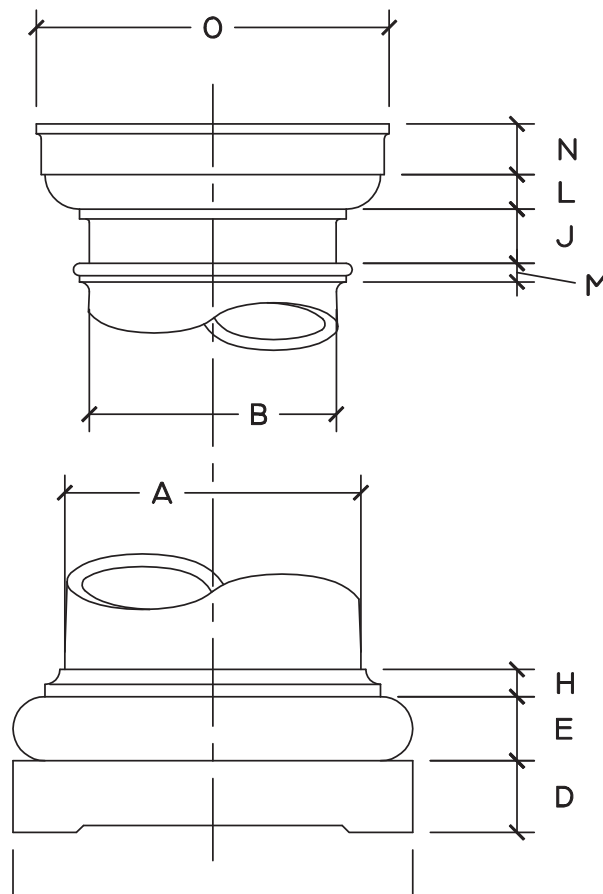
### Fiberglass/Resin-Infused Shaft Specifications

Bottom Diameter	Wall Thickness	Load	Top Diameter	Interior Clearance	Base/Plinth Height	Plinth Width	Tuscan Capital Height	Abacus Width
12"	.125"	20,000	10 ½"	9 ¾"	6"	16 ⅙"	3 ⅜"	14 ⅜"
14"	.125"	20,000	12"	11 ¾"	7 ⅜"	18 ¾"	4"	17 ⅙"
16"	.145"	22,000	13 ½"	13 ¼"	8 ½"	21 ½"	4 ⅜"	19 ⅙"
18"	.145"	24,000	15"	14 ¾"	9 ⅝"	24 ¼"	5 ⅙"	21 ¼"
20"	.160"	26,000	17"	16 ⅝"	10 ¾"	27"	5 ⅞"	24 ½"
22"	.160"	28,000	18 ½"	18 ⅙"	12 ⅙"	29 ¾"	6 ¼"	26 ½"
24"	.180"	30,000	20"	19 ⅙"	13 ¼"	32 ½"	7 ½"	28 ¾"
28"	.180"	35,000	23 ½"	22 ⅙"	15 ½"	38"	8"	33 ⅜"
30"	.200"	35,000	25"	24 ⅙"	16 ½"	40 ½"	9 ⅙"	35 ¾"
36"	.200"	35,000	30"	29 ⅙"	20 ¼"	48 ¾"	10 ½"	42 ¾"

# Column Specifications

## Tuscan Cap & Base Dimensions

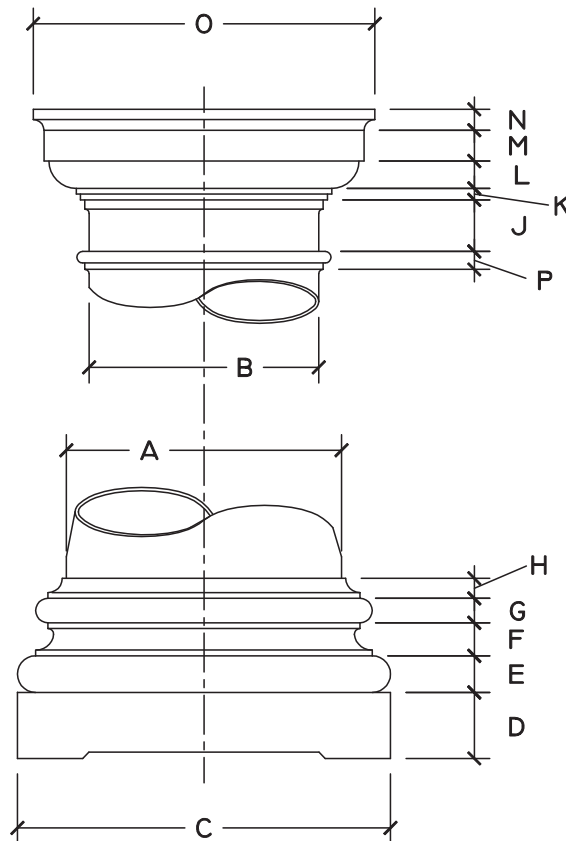
BOT. DIA	TOP DIA	SQUARE PLINTH		ROUND BASE		TOTAL BASE	ROUND CAP			SQUARE ABACUS		TOTAL CAP
		C	D	E	H		M	J	L	N	O	
A	B	C	D	E	H	E & H	M	J	L	N	O	L & N
12	10	16 1/8	2 3/4	2 3/8	7/8	3 1/4	13/16	2 1/8	1 3/8	2	14 3/8	3 3/8
14	12	18 3/4	3 3/8	3	1	4	7/8	2 5/8	1 5/8	2 3/8	17 1/8	4
16	13 1/2	21 1/2	3 7/8	3 3/8	1 1/8	4 1/2	1	3	1 7/8	2 3/4	19 1/4	4 5/8
18	15	24 1/4	4 1/4	3 7/8	1 1/2	5 3/8	1 3/16	3 3/8	2 1/8	3	21 1/2	5 1/8
20	17	27	4 3/4	4 1/4	1 3/4	6	1 5/16	3 3/4	2 1/4	3 3/8	24 1/4	5 5/8
22	18 1/2	29 3/4	5 1/4	4 3/4	2 1/8	6 7/8	1 3/8	4	2 1/2	3 3/4	26 1/2	6 1/4
24	20	32 1/2	5 3/4	5 1/4	2 1/4	7 1/2	1 9/16	4 1/2	2 3/4	4 1/8	28 3/4	6 7/8
26	22	35	6 1/4	5 5/8	2 5/8	8 1/4	1 11/16	4 3/4	3	4 3/8	31 1/2	7 3/8
28	23 1/2	38	6 3/4	6	2 3/4	8 3/4	1 13/16	5 1/8	3 1/4	4 3/4	33 3/8	8
30	25	40 1/2	7 1/4	6 1/2	2 3/4	9 1/4	1 7/8	5 1/2	3 1/2	5 1/8	35 3/4	8 5/8
36	30	48 3/4	8 3/4	7 3/4	3 5/8	11 3/8	2 5/16	6 1/2	4 1/4	6 1/4	42 3/4	10 1/2



# Column Specifications

## Roman Doric Cap & Attic Base Dimensions

BOT. DIA	TOP DIA	SQUARE PLINTH		ROUND BASE				TOTAL BASE	ROUND CAP				SQUARE ABACUS			TOTAL CAP
		A	B	C	D	E	F	G	H	E,F,G,H	P	J	K	L	M	N
12	10	16 1/8	2 3/4	1 1/2	1 3/8	1	5/8	4 1/2	3/4	2 1/8	7/16	1 3/16	1 1/2	7/8	14 3/4	4
14	12	18 3/4	3 3/8	1 3/4	1 5/8	1 1/4	3/4	5 3/8	7/8	2 5/8	9/16	1 3/8	1 5/8	1 1/8	17 1/2	4 11/16
16	13 1/2	21 1/2	3 7/8	2 1/8	1 7/8	1 3/8	7/8	6 1/4	1	3	5/8	1 5/8	1 7/8	1 1/4	19 7/8	5 3/8
18	15	24 1/4	4 1/4	2 3/8	2 1/8	1 1/2	1 1/8	7 1/8	1 3/16	3 3/8	3/4	1 3/4	2 1/8	1 3/8	22 1/4	6
20	17	27	4 3/4	2 5/8	2 3/8	1 3/4	1 3/8	8 1/8	1 1/4	3 3/4	3/4	2	2 3/8	1 5/8	25	6 3/4
22	18 1/2	29 3/4	5 1/4	2 7/8	2 5/8	1 7/8	1 5/8	9	1 3/8	4 1/8	7/8	2 1/8	2 5/8	1 3/4	27 3/8	7 3/8
24	20	32 1/2	5 3/4	3 3/16	2 7/8	2 1/8	1 3/4	9 15/16	1 1/2	4 1/2	15/16	2 3/8	2 3/4	1 13/16	29 3/4	7 7/8
28	23 1/2	38	6 3/4	3 3/4	3 3/8	2 3/8	1 7/8	11 3/8	1 5/8	5	1 1/8	2 3/4	3 3/8	2 1/8	34 5/8	9 3/8
30	25	40 1/2	7 1/4	3 7/8	3 5/8	2 5/8	1 7/8	12	1 13/16	5 1/2	1 3/16	2 7/8	3 1/2	2 3/8	37	9 15/16
36	30	48 3/8	8 3/4	4 3/4	4 3/8	3 1/8	2 1/2	14 3/4	2 1/16	6 3/8	1 3/8	3 5/8	4 1/4	2 3/4	44 1/8	12



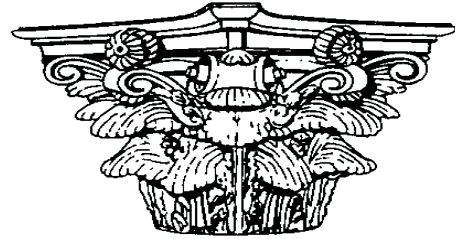
---

## Fiberglass or Urethane

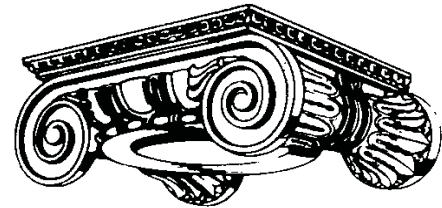
Pacific caps and bases are manufactured with the same attention to detail and advanced materials as our column shafts. From Tuscan to Temple of the Winds, their durability and classic styling make Pacific columns the top choice of discriminating builders and designers.

### Decorative Capitals

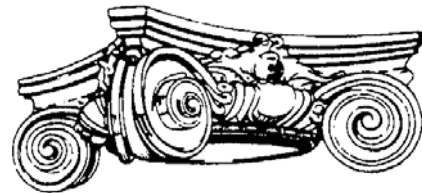
ROMAN CORINTHIAN



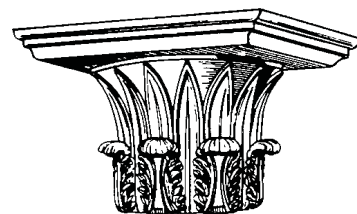
ROMAN IONIC



SCAMOZZI



TEMPLE OF THE WINDS



Sizes customized for column requirements. Call for details.

---

## Filament-Wound Columns Process

### ENGINEERING SPECIFICATIONS

In our filament winding process, glass fibers are wrapped in two directions: 90 and +/45 degrees. This allows for maximum strength. After the shaft winding is complete and the column has undergone a curing cycle, Pacific finishes its exterior to a smooth, paintable surface. Afterward, the column top receives the final detail for a specific capital configuration that the customer has requested. Fabrication of the decorative astragal (bead) for each column is produced using a high strength urethane-based foam product that resists cracking and weathering and is fully paintable. The astragal is molded directly onto the column neck and involves no bonding or gluing.

Materials Used: E-Glass Fiberglass  
Roving Polyester Resin

<b>Filament Wound Composite Mechanical Properties</b>	<b>Range</b>
• TENSILE STRENGTH	35,000 – 50,000 psi
• TENSILE MODULUS	2,500,000 – 3,600,000
• FLEXURAL STRENGTH	30,000 – 50,000 psi
• FLEXURAL MODULUS	2,500,000 – 3,600,000
• COMPRESSIVE STRENGTH	30,000 – 45,000 psi
• WATER ABSORPTION	0.5% (By wt.)
• BARCOL HARDNESS	50
• THERMAL EXPANSION	.000012 in / deg F
• FIBERGLASS TO RESIN RATIO (Min)	60% / 40%

<b>Nominal Column Size</b>	<b>Average Wall Thickness (inches)</b>
10", 12", 14"	.125
16", 18"	.145
20", 22"	.160
24", 28"	.180
30", 36"	.200

The ultimate compressive strength for a 12" diameter column in wood and rotocast fiberglass is 8000 lb., while in a filament wound fiberglass column, it is 50,000 lb. Filament wound fiberglass columns have the same basic characteristics as rotocast columns as far as weathering, insect resistance, etc., yet they are not as brittle. Due to the lightweight and high strength of these columns, crating is not required for shipping. The Pacific's column comes unfinished, requiring priming and painting per the individual contractor or homeowner's needs. As with all fiberglass columns, painting is required to eliminate UV degradation of the materials.

---

# Architectural Specifications

## GENERAL

### 1.1 PRODUCT DESCRIPTION

- 1.1.1 Columns shall be Filament Wound Fiberglass/Resin-Infused Columns manufactured by Pacific based on design \_\_\_\_\_ (Tuscan, Doric, Attic, etc.)
- 1.1.2 Column design shall have the correct proportions based on Orders of Architecture, except when cut to a specific length.
- 1.1.3 Filament Wound Columns are manufactured from E-Glass Fiberglass and Polyester Resin (Fiberglass Reinforced Polymers - FRP)
- 1.1.4 Filament Wound Fiberglass/Resin-Infused Columns shall be sanded ready for priming/painting
- 1.1.5 Filament Wound Fiberglass/Resin-Infused Columns meet ASTM E84-01 testing criteria for Class B flame and smoke classifications.
- 1.1.6 Caps, Bases and Plinths shall be made from Fiberglass or Polyurethane materials

### 1.2 SUBMITTALS

- 1.2.1 Submit Pacific product data and shop drawings for customer approval.

## 2.0 PRODUCTS

### 2.1 SUPPLIER

- 2.1.1 Pacific Columns, Inc.  
505 W. Lambert Road  
Brea, CA 92821  
Phone: (800) 294-1098  
Fax: (714) 257-9628

### 2.2 MATERIALS

- 2.2.1 Filament Wound Fiberglass/Resin-Infused Columns are manufactured from E-Glass Fiberglass and Polyester Resin (Fiberglass Reinforced Polymers - FRP)

## 3.0 EXECUTION

### 3.1 INSTALLATION

- 3.1.1 Follow manufactures detailed installation procedures
  - 3.1.1.1 The position of the plinth must be determined by dropping a plumb line from the center of the soffit beam to the floor. This point should be marked well on the floor.
  - 3.1.1.2 Measure the overall height. Raise the soffit or porch slightly and brace safely for later column placement.
  - 3.1.1.3 Measure shaft length and if necessary, trim the shaft on the bottom only. Trim with an abrasive saw blade and always wear protective eye guards. Finish both the top and bottom ends of shaft with a rasp or sander to ensure an even load distribution around the shaft.
  - 3.1.1.4 Slide the standard capitals (Tuscan/Roman Doric) over the neck and rest temporarily on the astragal until the shaft is in the proper position.

---

## Architectural Specifications

- 3.1.1.6 Stand column in a vertical position and slide into place where mark was made on floor.
- 3.1.1.7 Use small L brackets to hold shaft to flooring and do not let these brackets interfere with the position of the base/plinth. (NOTE: Use through bolts on shaft, do not use screws.)
- 3.1.1.8 Remove brace and allow load to rest on column evenly.
- 3.1.1.9 Measure and pre-drill hole in capital and base for screws.
- 3.1.1.10 Slide capital up to soffit and attach using corrosion resistant type screws. Attach base to floor using masonry or appropriate fasteners. Fill holes with a polyester filler.
- 3.1.1.11 Caulk between the capital and the shaft, and the base and the shaft for a completed appearance. (NOTE: a gap around the base and shaft is normal and a standard in the industry.)

### 3.2 PAINTING AND FINISHING

- 3.2.1 Make sure all surfaces are clean prior to painting. The surface preparation of your columns and components is very important to assure you a lifetime of beauty.
- 3.2.2 Lightly sand and remove ALL dust and or dirt before applying any paint or primer. In case of surface scratches, some filling may be required.
- 3.2.3 Use a good high quality exterior paint, at least one coat of primer and two coats surface paint. Pacific strongly recommends an alkyd or oil based primer and paint.
- 3.2.4 Follow the paint instructions completely, making sure that the air and material temperatures are in accordance with the manufacturer's suggested recommendations. Paint adhesion problems occur when the directions are not followed properly.

### 3.3 WARRANTY

- 3.3.1 All fiberglass/resin-infused columns and components have a limited lifetime warranty
- 3.3.2 Manufacturer warrants that columns are free of defects in material and workmanship and, when stored, installed and finished in accordance with Manufacturer's published installation instructions, will perform as specified in the current published specifications for as long as the original purchaser owns the property. Manufacturer's warranty begins at date of substantial completion.

---

## Filament Wound Fiberglass/Resin-infused Columns

### FINISHING & INSTALLATION INSTRUCTIONS

#### FINISHING AND PAINTING INSTRUCTIONS

The surface preparation of your columns and components is very important to assure you a lifetime of beauty.

- Lightly sand and remove ALL dust and or dirt before applying any paint or primer. In case of surface scratches, some filling may be required.
- Use a good high quality exterior paint, at least one coat of primer and two coats surface paint. Pacific strongly recommends an alkyd or oil based primer and paint.
- Follow the paint instructions completely, making sure that the air and material temperatures are in accordance with the manufacturer's suggested recommendations. Paint adhesion problems occur when the directions are not followed properly.

#### INSTALLATION INSTRUCTIONS

The position of the plinth must be determined by dropping a plumb line from the center of the soffit beam to the floor. This point should be marked well on the floor.

1. Measure the overall height. Raise the soffit or porch slightly and brace safely for later column placement.
2. Measure shaft length and if necessary, trim the shaft on the bottom only. Trim with an abrasive saw blade and always wear protective eye guards. Finish both the top and bottom ends of shaft with a rasp or sander to ensure an even load distribution around the shaft.
3. Slide the standard capitals (Tuscan/Roman Doric) over the neck and rest temporarily on the astragal until the shaft is in the proper position.
4. Slide base/plinth onto shaft from the bottom.
5. Stand column in a vertical position and slide into place where mark was made on floor.
6. Use small L brackets to hold shaft to flooring and do not let these brackets interfere with the position of the base/plinth. (NOTE: Use through bolts on shaft, do not use screws.)
7. Remove brace and allow load to rest on column evenly.
8. Measure and pre-drill hole in capital and base for screws.
9. Slide capital up to soffit and attach using corrosion resistant type screws. Attach base to floor using masonry or appropriate fasteners. Fill holes with a polyester filler.
10. Caulk between the capital and the shaft, and the base and the shaft for a completed appearance. (NOTE: a gap around the base and shaft is normal and a standard in the industry.)

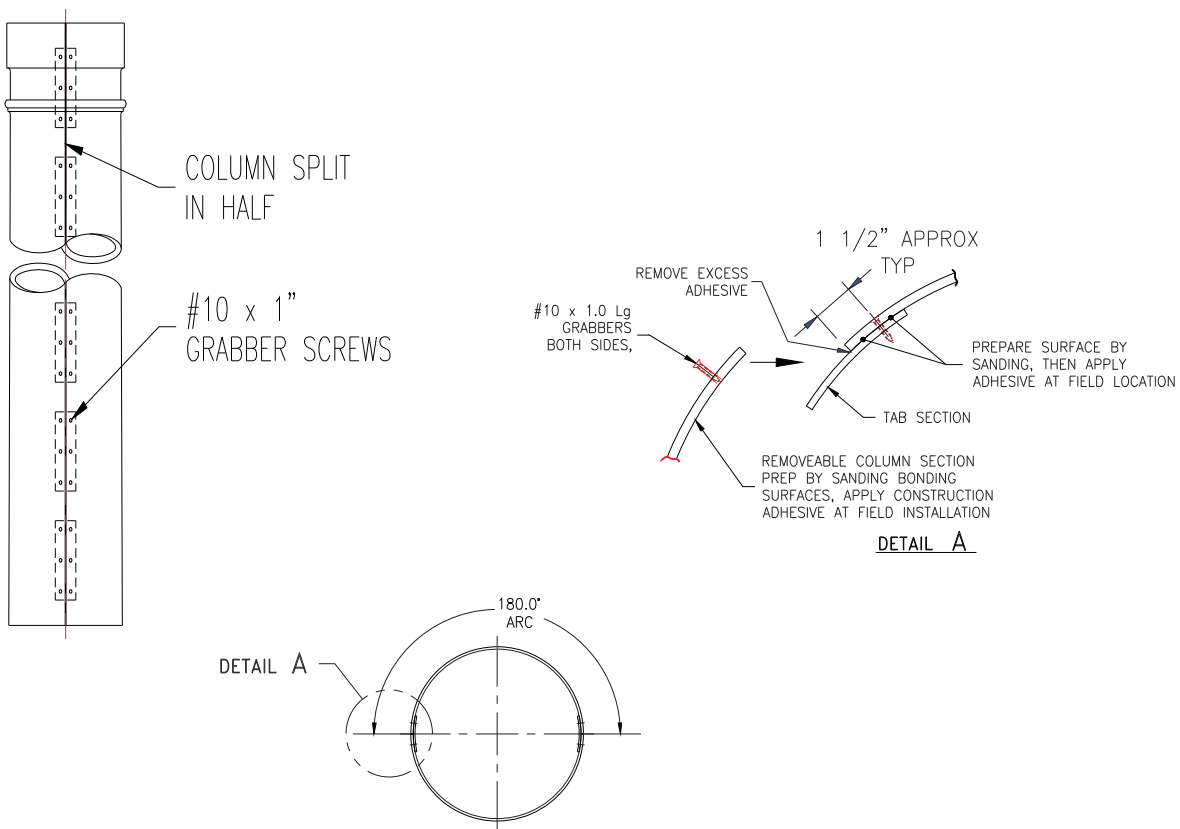


## Reassembly for Split Filament Wound Fiberglass/Resin-infused Columns

Column shafts will arrive split in half with tabs fastened to column with 1" grabber screws (see drawing).

- Separate column halves by removing 1" grabber screws from one side of column seam. Back grabber screws out from the other half to allow tabs to separate from the column. Apply high quality polyester adhesive (see detail A) Tighten grabber screws on tabs.
- Position tabbed half section around post or support.
- Align other half section to tabbed section and join together with high quality polyester adhesive and screws. Strap clamps may be useful.
- After adhesive cures, (follow recommended cure time) remove the clamp or straps and screws. Fill the seam with polyester type bondo or filler and sand smooth.
- After sanding and removing dust, column is ready for finishing, priming and painting.

*NOTE: Pacific Column Shafts are fully load bearing. Splitting and tabbing is a service that we provide for you. If you choose to split shafts, our warranty is void. Always keep shafts joined together until ready for reassembly.*



# ENDURA-CLASSIC COLUMNS



PACIFIC COLUMNS, INC.  
505 W. LAMBERT ROAD  
BREA, CA 92821

[WWW.PACIFICCOLUMNS.COM](http://WWW.PACIFICCOLUMNS.COM)

800-294-1098